

SAFETY GUIDELINES:

INTRODUCTION:

Arcatron SAS100/SSS100 Shower and Commode wheelchair is to be used only after reading and understanding this user manual. If some parts of the manual are not understood, clarification shall be sought prior to using the product. Updated manual can be accessed online at our website www.arcatron.com product page. Failure to comply with this manual fully, may result in injury, damage and warranty void and we will be in any ways not liable for the same.

DO's

- This wheelchair is designed and meant to be used indoors including but not limited to accessible bathrooms for persons weighing up to 90 kg.
- The most dangerous part associated with using any shower chair is transfers. It is strongly recommended to review and learn the necessary transfer techniques with the help of consultant physiotherapist before using this wheelchair.
- Long period of sitting shall be avoided without consulting from a doctor or a professional physiotherapist.
- It shall be ensured that all caster wheel locks are engaged while in outward position before shifting to or from the wheelchair.
- It is recommended that transfers to/from this wheelchair is carried out on dry, non-slippery surfaces.
- If used as a Self-Propelled wheelchair (using Arcatron SSS100 Expansion Pack), the big wheels shall be locked along with casters while shifting from/to the wheelchair.
- If any need for maintenance is felt, it is recommended that users/caregivers shall contact nearest Arcatron distributor or reach us out on contact@arcatron.com.
- It is recommended to use straps/restraints while constrained on the wheelchair.
- Store the wheelchair in only dry conditions (Ambient Temp: 0-45 °C Relative humidity: 30%-70%) and keep away from direct sunlight

DONT's

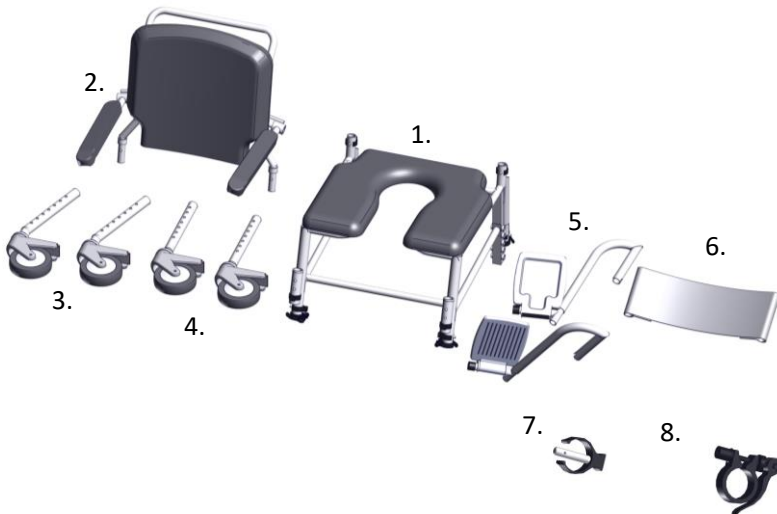
- This wheelchair is not meant for outdoor use and especially over uneven surfaces (depressions/bump > 10 mm).
- This wheelchair shall not be used unsupervised without taking consent and guidelines from consulting doctor or a professional physiotherapist.
- Don't immerse this wheelchair in part or whole, in water or any other liquid as it may lead to damage of the components.
- Don't ever use the footplate to assist in transfers. This is extremely hazardous and causes the chair to topple resulting in injury.
- Don't lean too much in front while sitting on the wheelchair to avoid tipping
- Don't tilt or lift the wheelchair in part or whole while the user is sitting on it.
- Don't reach the hinge areas to avoid pinching hazards.
- Don't push or pull the wheelchair up or down ramps that exceed 1:12 grade (5-degree slope)

In the box:

1. Seat frame with Seat Cushion
2. Backrest frame with Armrests
3. Rear Caster Pipes
4. Front Caster Pipes (With a Bent pipe)
5. Footrest Pipe with footrest plate
6. Footrest Restraint
7. C-Pin
8. Quick Release Clip

If bought as self-propelled series then,

9. Mag-wheels
10. Quick release axle



ASSEMBLY INSTRUCTIONS

Keep the Seat Frame upside down on a smooth and clean surface.



Difference between front and back caster pipes

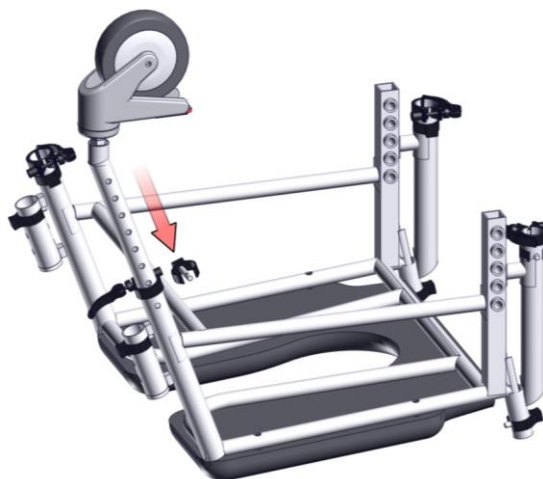


Insert front caster pipe:

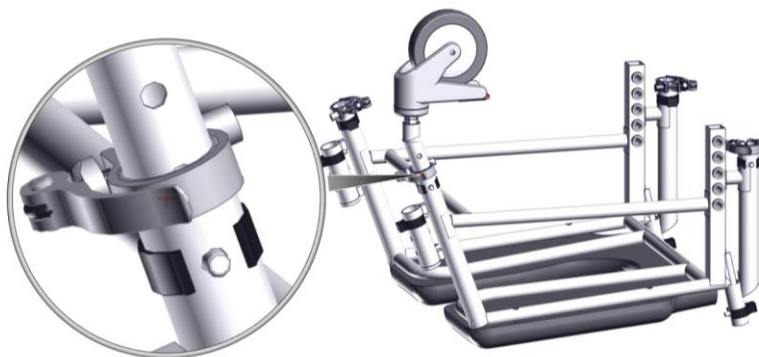
Release the Quick release tab. Remove the C-pin.



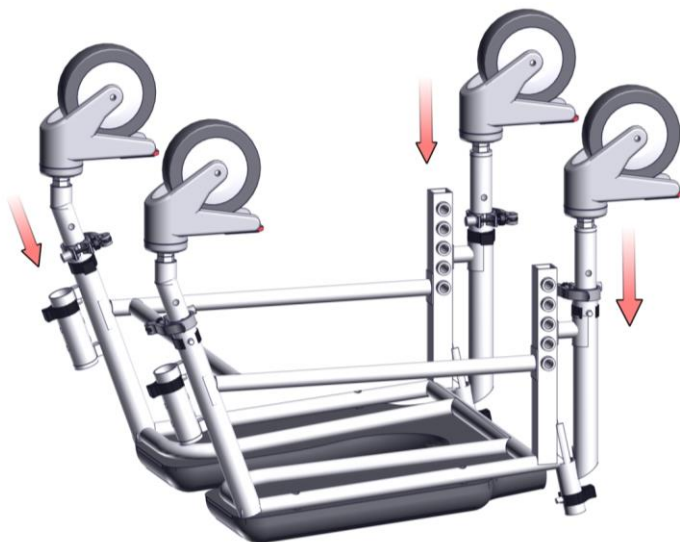
Insert the castor pipe and adjust it to the required height.



Align the hole of castor pipe with the hole on frame and insert the C-Pin. Close the Quick release tab. Make sure the Caster pipe is fixed and there is no play.



Repeat the same process for rest three castor pipes. Make sure all pipes are at same levels.



Flip the chair right side up. Engage all the brakes on caster wheels. Pic shows how to engage brakes.

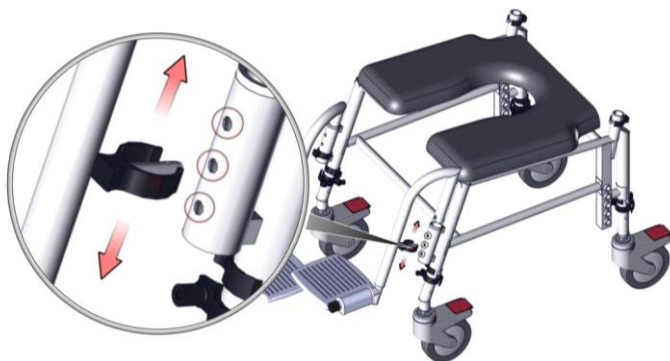


Take the Footrest pipe. Notice the notch on the end of the pipe. This notch should align/rest on the peg of the C-Pin that is inserted in the footrest pipe socket.



Height adjustment of footrest:

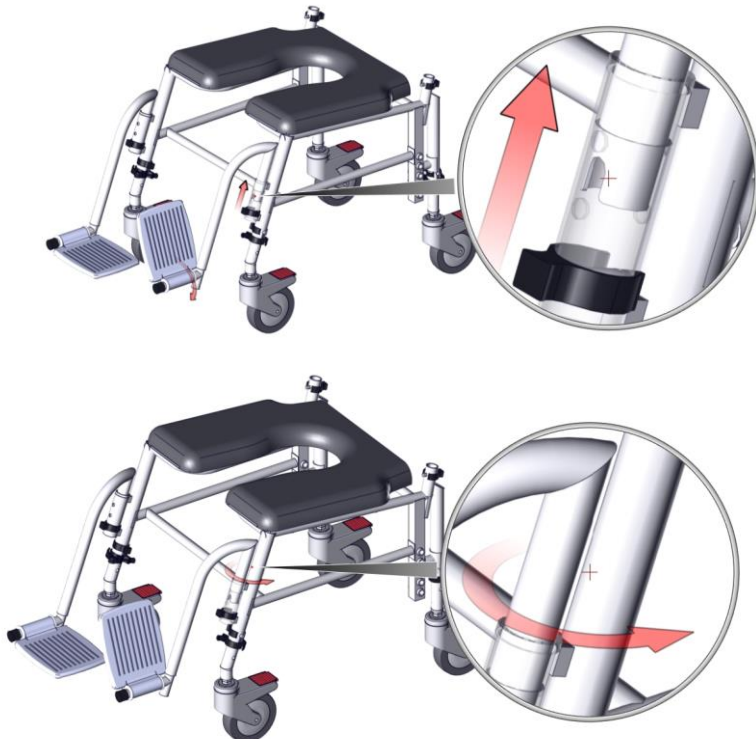
There are 3 levels of height adjustments in footrest. Height of footrest can be adjusted with the help of C-pin



Setting up the footrest restraint: Make sure Velcro side comes behind. Fold the flaps inside to attach the footrest restraint. The tension in the footrest can be adjusted with the help of Velcro.



To swivel the footrest inside or outside, lift it and turn it inside or outside.



To assemble the backrest, remove the C-pins.



Insert the backrest and align the hole on backrest with the hole on frame



Insert the C-pins:

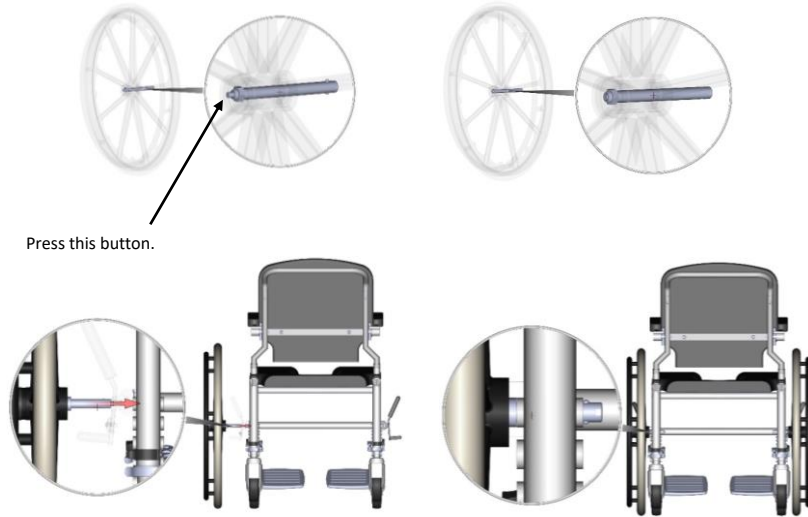


Your chair is ready for use!

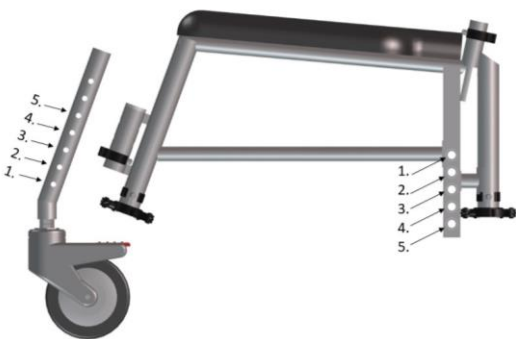


For SAS users/ if you have extension

Press the Button on the quick release axle in the big wheel. Pass the Axle through the required hole. Make sure it passes all the way and is properly locked.



Make sure both the big wheels are at same height. And also Make sure the Caster Wheels are in the holes as shown below.



Hole Number	Commode Height
1.	17
2.	18
3.	19
4.	20
5.	21

Fixing the brakes:

Loosen the bolts with the Allen key. Insert the Big notch to the wheelchair. Insert the Brake to the small notch. Find the proper position at which the brakes lock properly by sliding the brake assembly on the wheelchair pipe. Tighten the bolts with the Allen key.



